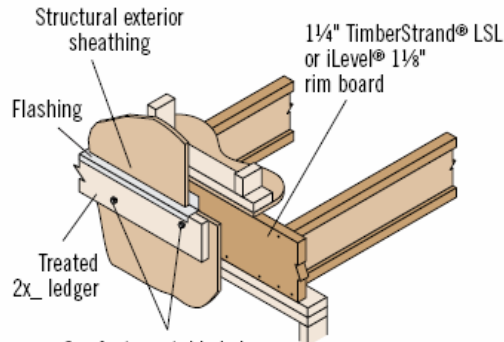


Trus Joist® 1¼" TimberStrand® LSL Rim Board and iLevel® 1⅝" Rim Board Deck Ledger Attachment

Connections between a deck ledger and rim board are critical for the stability of residential outdoor decks. The table below gives allowable lag and through-bolt on-center spacings based on typical residential deck joist spans.

Exterior Deck Attachment



See fastener table below.
Maintain 2" distance
(minimum) from edge of
ledger to fastener.



Treated deck ledger must be properly flashed to ensure rim board is protected from moisture and ensure connections perform satisfactorily

Allowable Deck Ledger Fastener Spacing

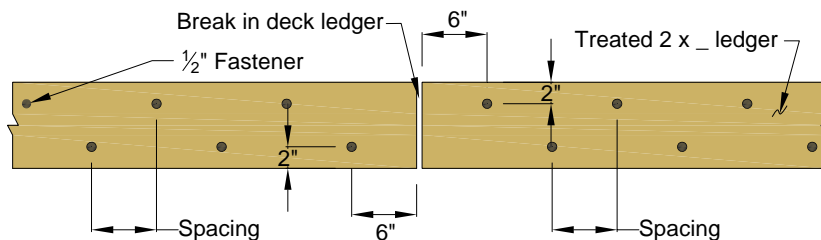
Rim Board Product	Residential Deck Joist Span (ft) ⁽¹⁾					
	8'-0"	10'-0"	12'-0"	14'-0"	16'-0"	18'-0"
1¼" TimberStrand® LSL	28"	22"	18"	16"	14"	12"
iLevel® 1⅝" Rim Board	24"	18"	16"	12"	12"	10"

(1) Assumes simple spans only.

- Fastener spacings are only for ½" lag bolts and ½" through-bolts.
- Through-bolts require washers. Bolt holes to be 9/16" maximum.
- 2" minimum top and bottom edge distance shown in the figure below also pertains to rim board.

General Notes

- Allowable fastener loads determined in accordance with acceptance criteria ICC ES AC 124.
- Corrosion-resistant fasteners required for wet-service applications.
- Fastener spacing assumes uniform vertical loads of 40 PSF LL/10 PSF DL deck loads.
- Other loads may control the deck ledger design. They include, but are not limited to, snow, seismic, wind or concentrated loads.
- When designing lateral connections, use an equivalent specific gravity, SG = 0.50.
- See iLevel® Trus Joist® 1¼" TimberStrand® and iLevel® Rim Board Specifier's Guide (TJ-8000) for additional information and installation details.



Fastener Placement Details

CONTACT US ▪ 1.888.iLevel8 ▪ iLevel.com